

TB 134

TECHNICAL BULLETIN

INFORMATION ONLY

For the Attention of : Service Engineers, Installers, Trade Customers, Testers, Training Dept,

Date : 7th September 2012

Product : Midilift SL

Subject : Removal of high level fixings on Midilift SLs with upper level door.

Pages : 5

Originator : Stannah Lifts Ltd, Anton Mill, Andover, Hants SP10 2NX 01264 339090

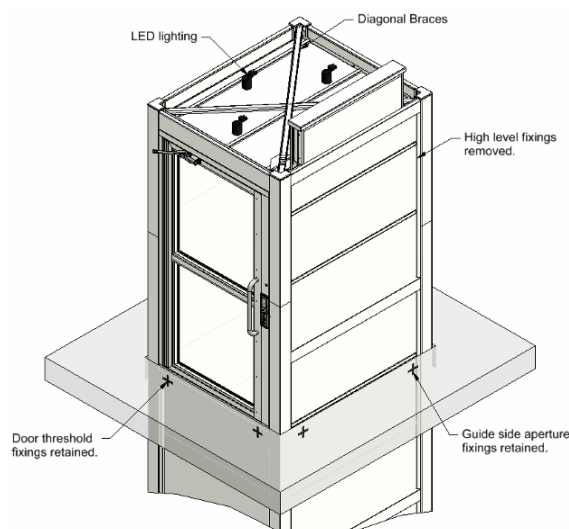
To reduce the need to interact with the builder, high level fixings are no longer required on Midilift SLs with an upper level door.

To facilitate the removal of these fixings, diagonal braces have been introduced at the top of the structure to ensure structural rigidity. The landing threshold fixings have also changed to a push/pull arrangement.

Other changes include replacing the current multi-piece ceiling assembly with a single piece hinged ceiling panel and replacing the current shaft ceiling light with LED downlights.

Notes:

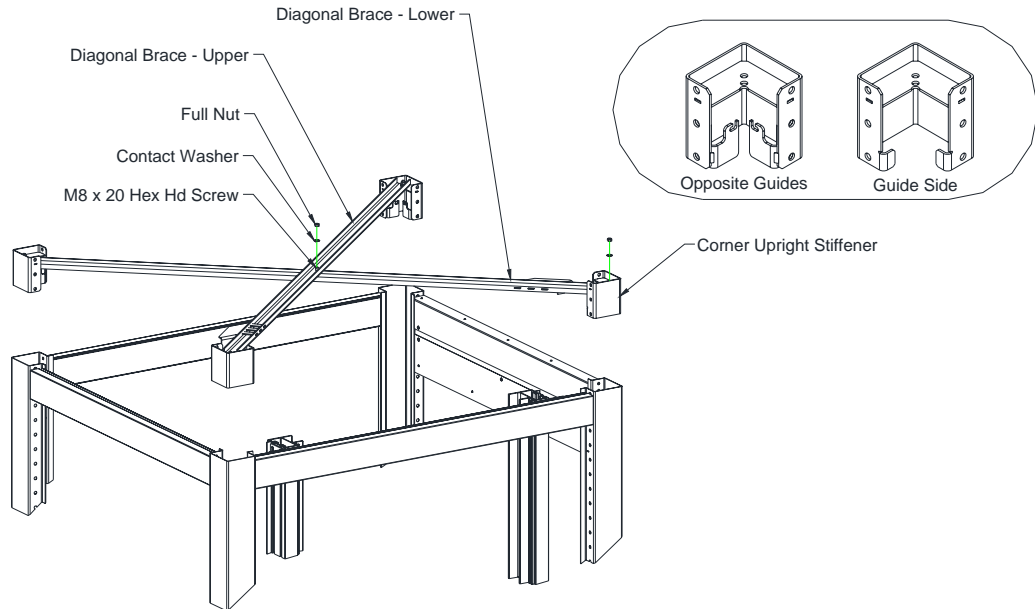
- 1) These changes will take effect on lifts manufactured from 24/09/12.
- 2) Lifts with an upper level gate will retain the high level fixings to support the top of the structure.



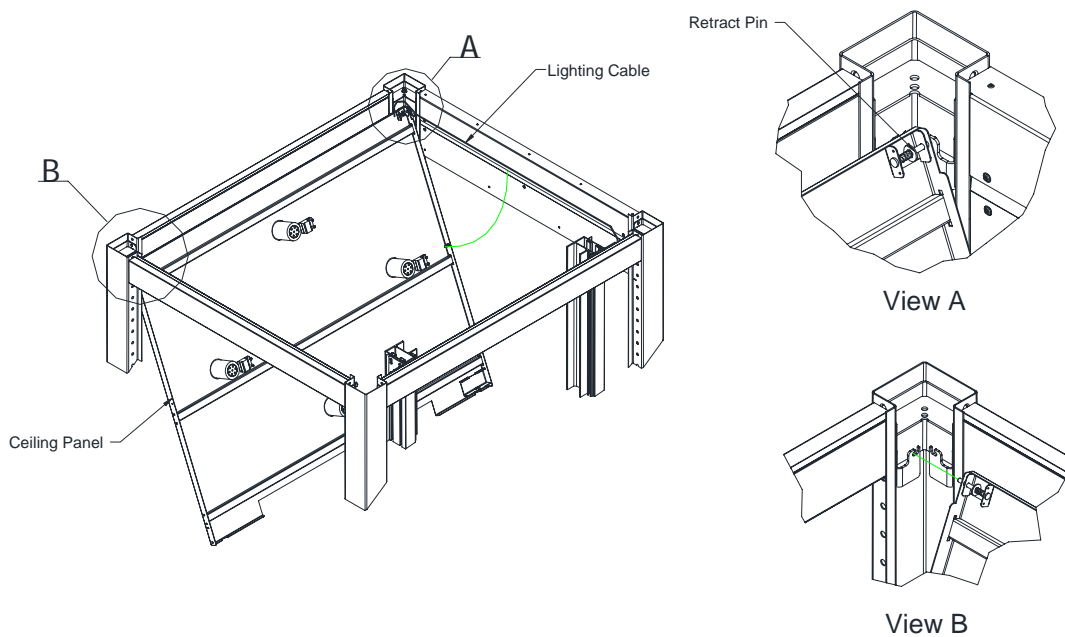
Installation

The diagonal braces are fitted to stiffeners located at the top of the corner uprights.

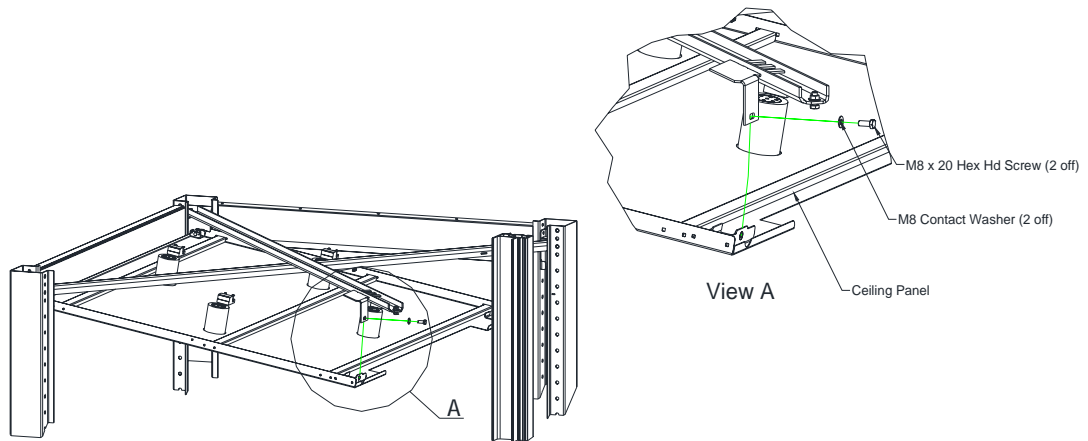
Note: Ensure the 2 different stiffeners are fitted in the correct locations as detailed.



The ceiling fits into the stiffeners opposite the guides using retractable pins. The lighting cable should then be routed down the left side of the guides.

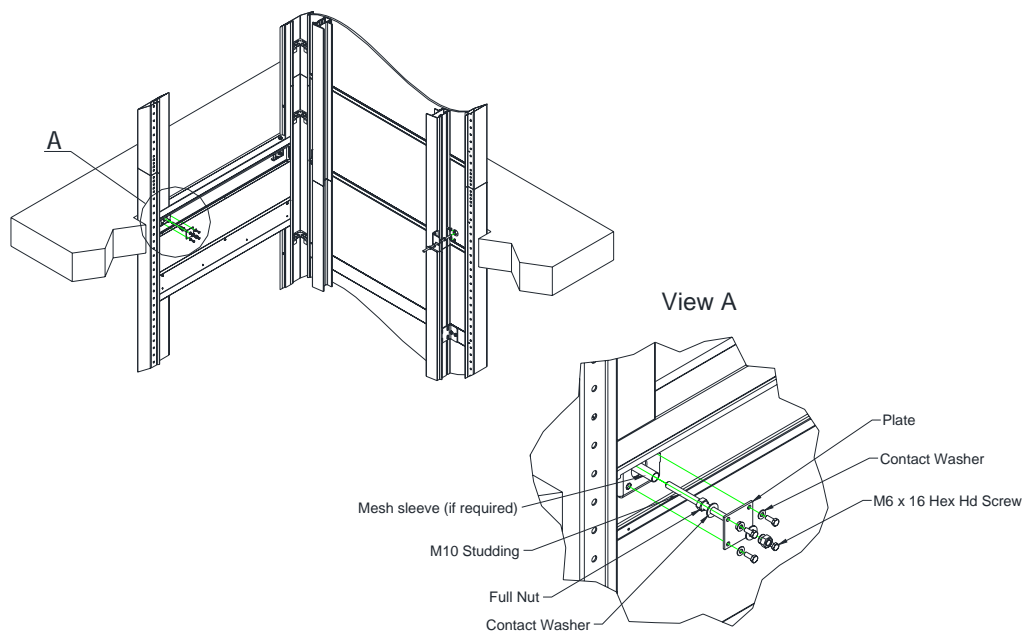


The ceiling panel will then hinge up and is fixed to brackets which form part of the diagonal braces. Access is gained from below via the gap next to the guides.



The landing threshold fixings have changed to the arrangement shown below. This arrangement is common to both doors and gates.

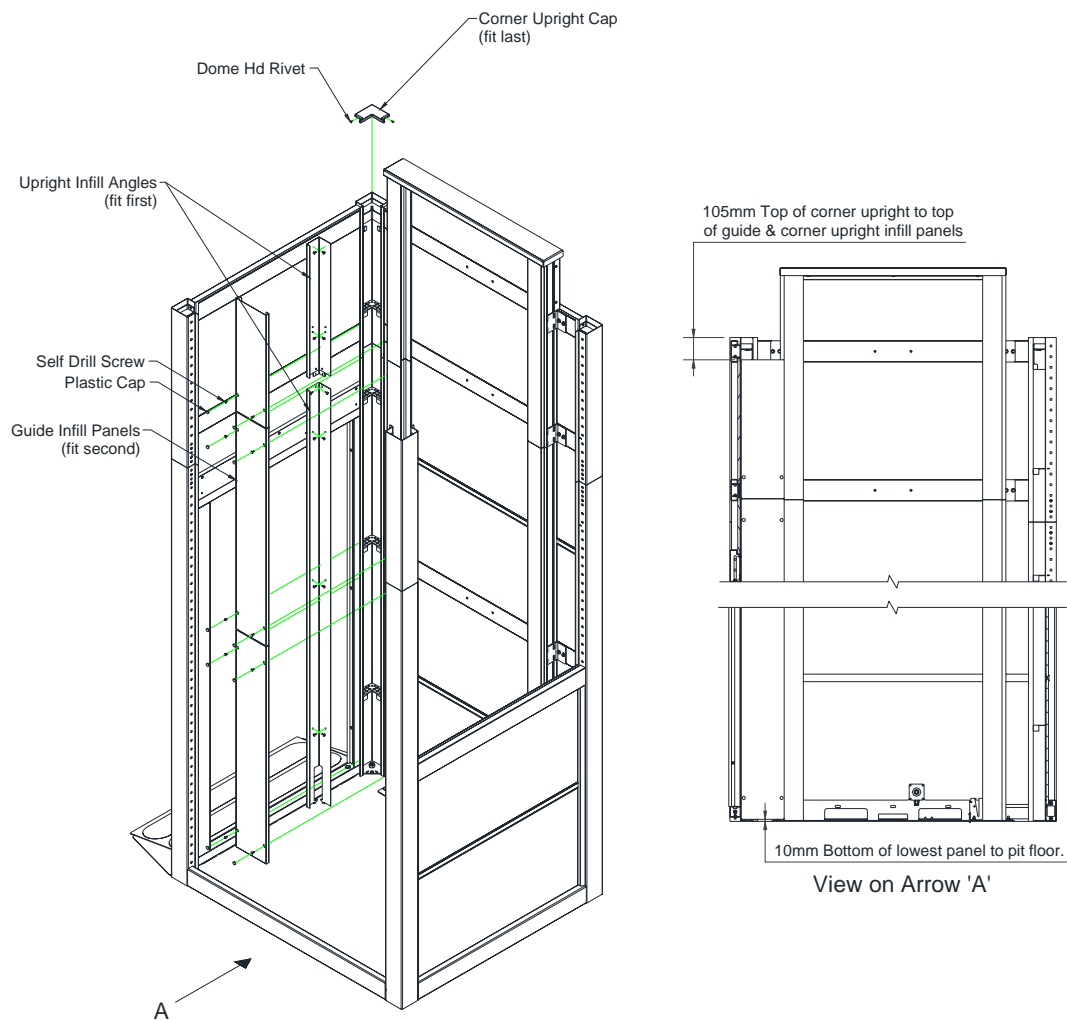
Note: Insure the structure is square before fixing the lift structure. While the guide and landing fixings can be used to redress a small amount of twist, they cannot be used as the primary means of plumbing/squaring up the lift or addressing incorrect builders work.



The upright and guide infill covers have changed as follows:

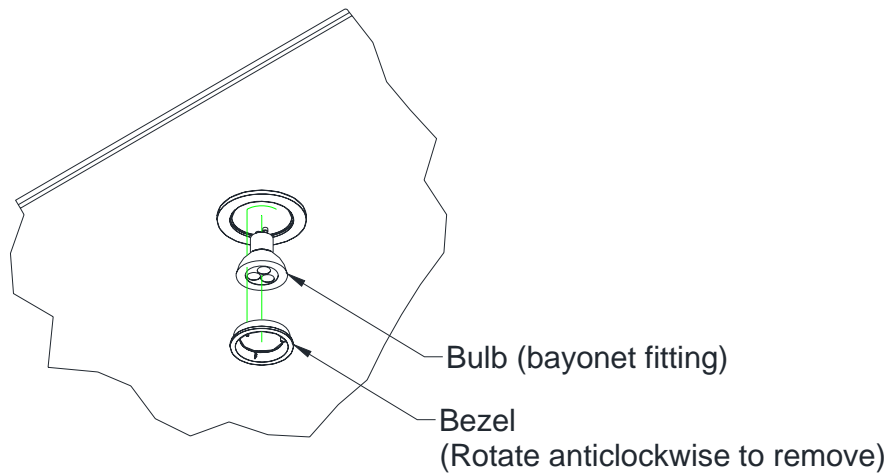
- 1) The upright infill angles will stop 105mm below the top of the corner upright.
- 2) The top guide infill panel should be flush with the top of the upright infill angle while gap at the bottom of the lift structure is now 10mm
- 3) The guide top infill plates & 75mm upright infill top pieces are no longer required.

Note: The structural ceiling must be fitted before fitting the top guide and upright infill panels. This also applies to the upright infill panels opposite the guides.



Servicing

Bulb replacement is carried out from the lift platform. The bulb is retained by a removable bezel as shown.



Note: It is not envisaged that access above the ceiling will be required following installation. However in the unlikely event that access above the ceiling is required, it will be necessary to remove the top section of the guide infill panels to gain access to the ceiling fixings (see installation details). It will also be necessary to remove the top section of upright infill panels opposite the guide to prevent damage when the ceiling is lowered.